

Service Manual

Stereo Integrated Amplifier

Amplifier SU-V570

Color

(K) Black Type



Area

Country Code	Areas	Color
(E)	Continental Europe	(K)
(EB)	Great Britain	(K)
(EG)	F.R. Germany & Italy	(K)

SPECIFICATIONS

(DIN 45 500)

20 Hz~20 kHz continuous power output	
both channels driven	2 × 60 W (8 Ω)
1 kHz continuous power output	
both channels driven (THD: 1%)	2 × 70 W (8 Ω) 2 × 100 W (4 Ω)
63 Hz~12.5 kHz continuous power output	
both channels driven (0.7%)	2 × 60 W (8 Ω) 2 × 90 W (4 Ω)
Total harmonic distortion (Power Amp Direct input)	
rated power at 20 Hz~20 kHz	0.005 % (8 Ω)
rated power at 1 kHz	0.0009 % (8 Ω) 0.002 % (4 Ω)
half power at 20 Hz~20 kHz	0.005 % (8 Ω)
half power at 1 kHz	0.0009 % (8 Ω) 0.002 % (4 Ω)
Intermodulation distortion	
rated power at 50 Hz: 7 kHz = 4:1, SMPTE, 8 Ω	0.007 %
Residual hum and noise	0.2 mV
Damping factor	60 (8 Ω), 30 (4 Ω)
Headphones output level and impedance	540 mV/330 Ω
Load impedance	
A or B	4 Ω~16 Ω
A and B	8 Ω~16 Ω
Input sensitivity and impedance	
PHONO MM	2.5 mV/47 kΩ
PHONO MC	170 μV/220 Ω
TUNER, CD, AUX, TAPE 1, TAPE 2/DAT	150 mV/22 kΩ
POWER AMP DIRECT	1 V/18 kΩ
Phono maximum input voltage (IHF '66, 1 kHz, RMS)	
MM	160 mV
MC	12 mV
S/N	
rated power (4 Ω)	
PHONO MM	77 dB (IHF '66: 83 dB)
PHONO MC	64 dB (IHF '66: 64 dB, S=250 μV)
TUNER, CD, AUX, TAPE 1, TAPE 2/DAT	97 dB (IHF '66: 100 dB)
POWER AMP DIRECT	106 dB (IHF '66: 115 dB)
-26 dB power (4 Ω)	

PHONO MM	76 dB
PHONO MC	63 dB
TUNER, CD, AUX, TAPE 1, TAPE 2/DAT	84 dB
50 mW power (4 Ω)	
PHONO MM	75 dB
PHONO MC	63 dB
TUNER, CD, AUX, TAPE 1, TAPE 2/DAT	78 dB

Frequency response

PHONO MM	RIAA standard curve ±0.8 dB (30 Hz~15 kHz)
TUNER, CD, AUX, TAPE 1, TAPE 2/DAT	3 Hz~100 kHz (+0, -3 dB) +0 dB, -0.2 dB (20 Hz~20 kHz)
POWER AMP DIRECT	2 Hz~120 kHz (+0, -3 dB) +0 dB, -0.2 dB (20 Hz~20 kHz)

Tone controls

BASS	50 Hz, +10 dB, -10 dB
TREBLE	20 kHz, +10 dB, -10 dB

Loudness control (volume at -30 dB)

50 Hz, +9 dB

Output voltage

TAPE 1, TAPE 2/DAT REC OUT	150 mV
Channel balance, AUX 250 Hz~6,300 Hz	±1 dB
Channel separation, AUX 1 kHz	50 dB

■ GENERAL

Power consumption	520 W
Power supply	
For Great Britain	AC 50 Hz/60 Hz, 240 V
For others	AC 50 Hz/60 Hz, 220 V
Dimensions (W × H × D)	430 × 158 × 320 mm (16-15/16" × 6-7/32" × 12-5/8")
Weight	9.2 kg (20.2 lb.)

Notes:

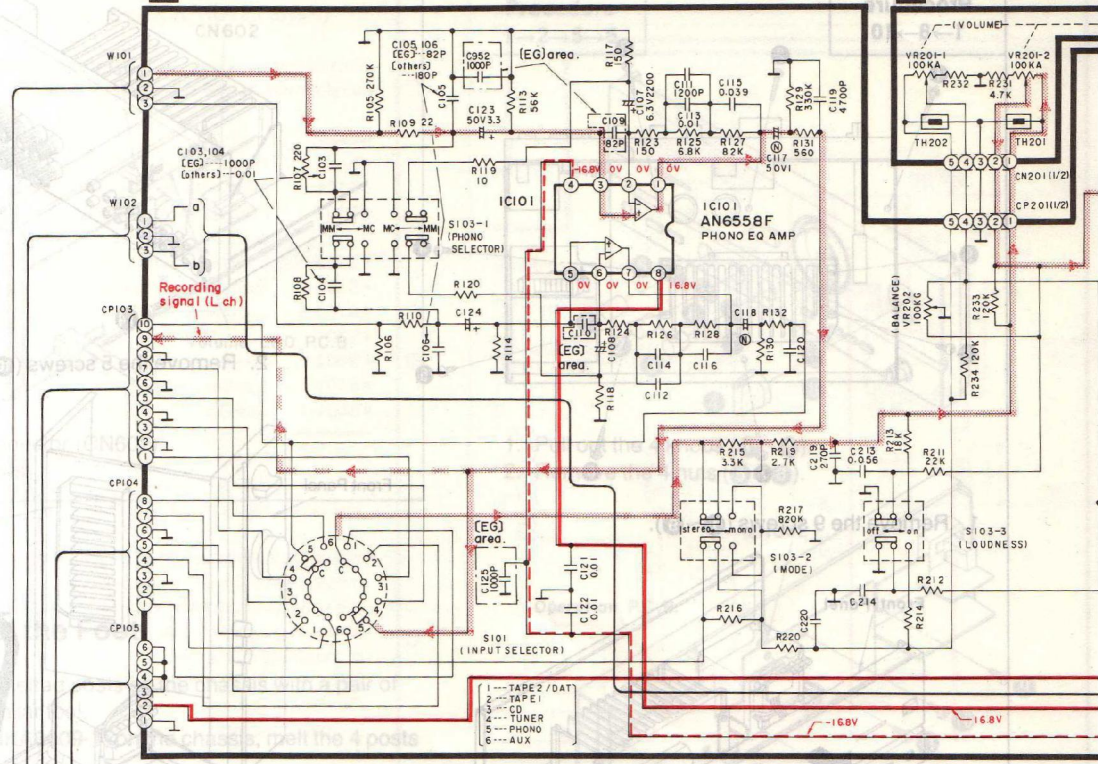
- Specifications are subject to change without notice.
- Weight and dimensions are approximate.
- Total harmonic distortion is measured by the digital spectrum analyzer.

Technics

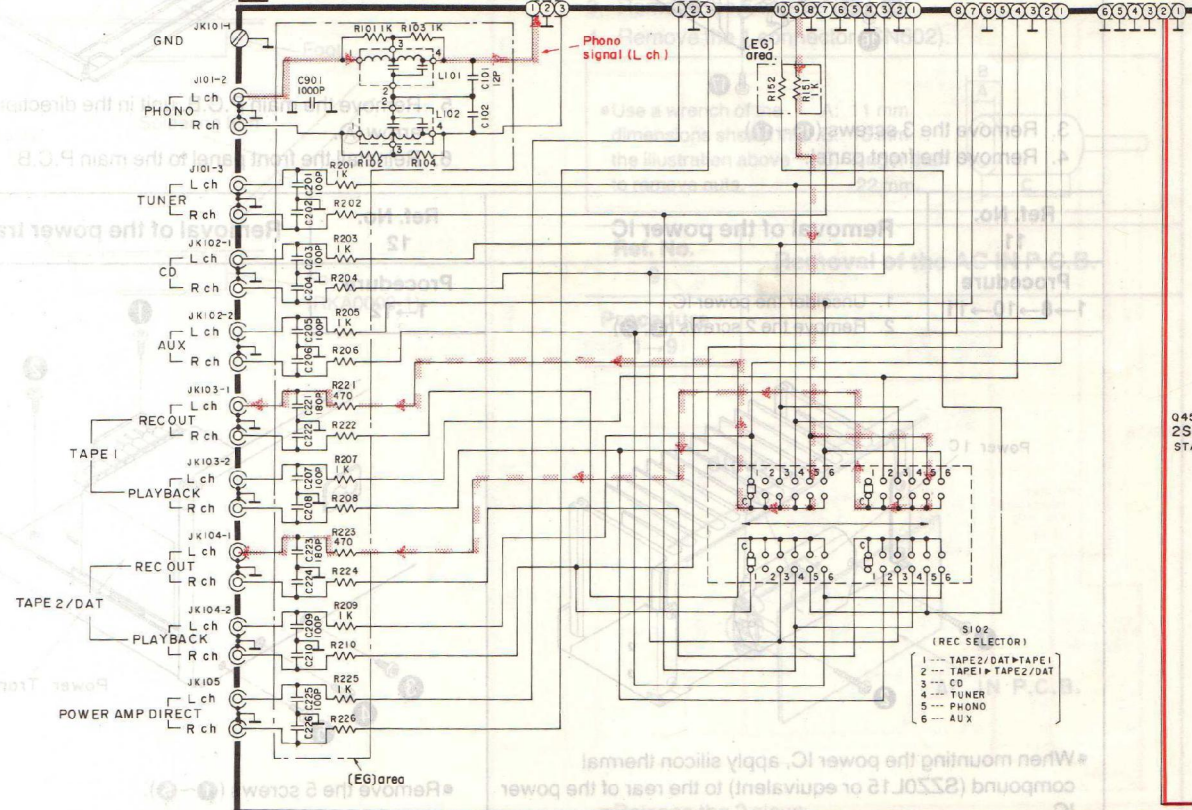
Matsushita Electric Industrial Co., Ltd.
Central P.O. Box 288, Osaka 530-91, Japan

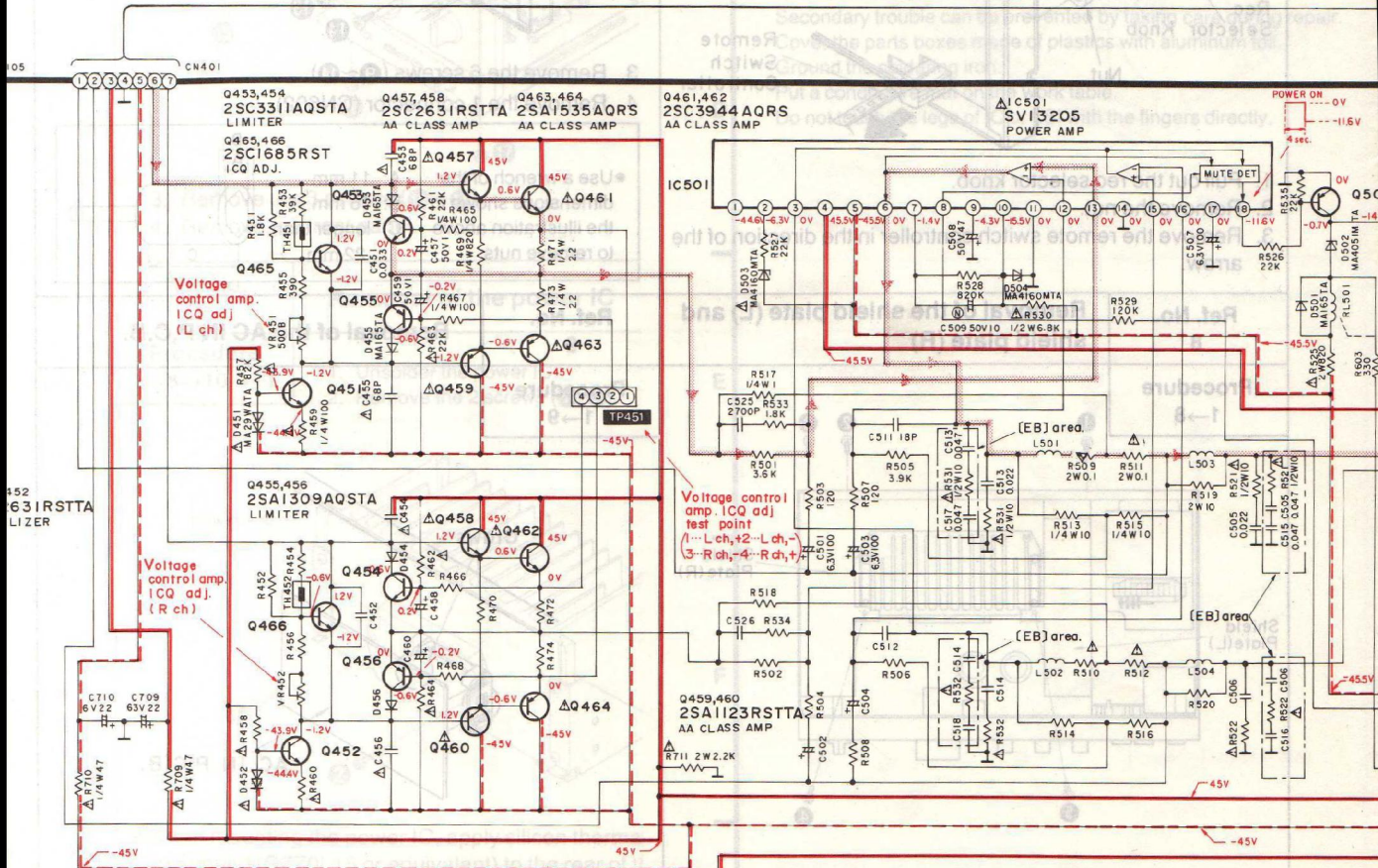
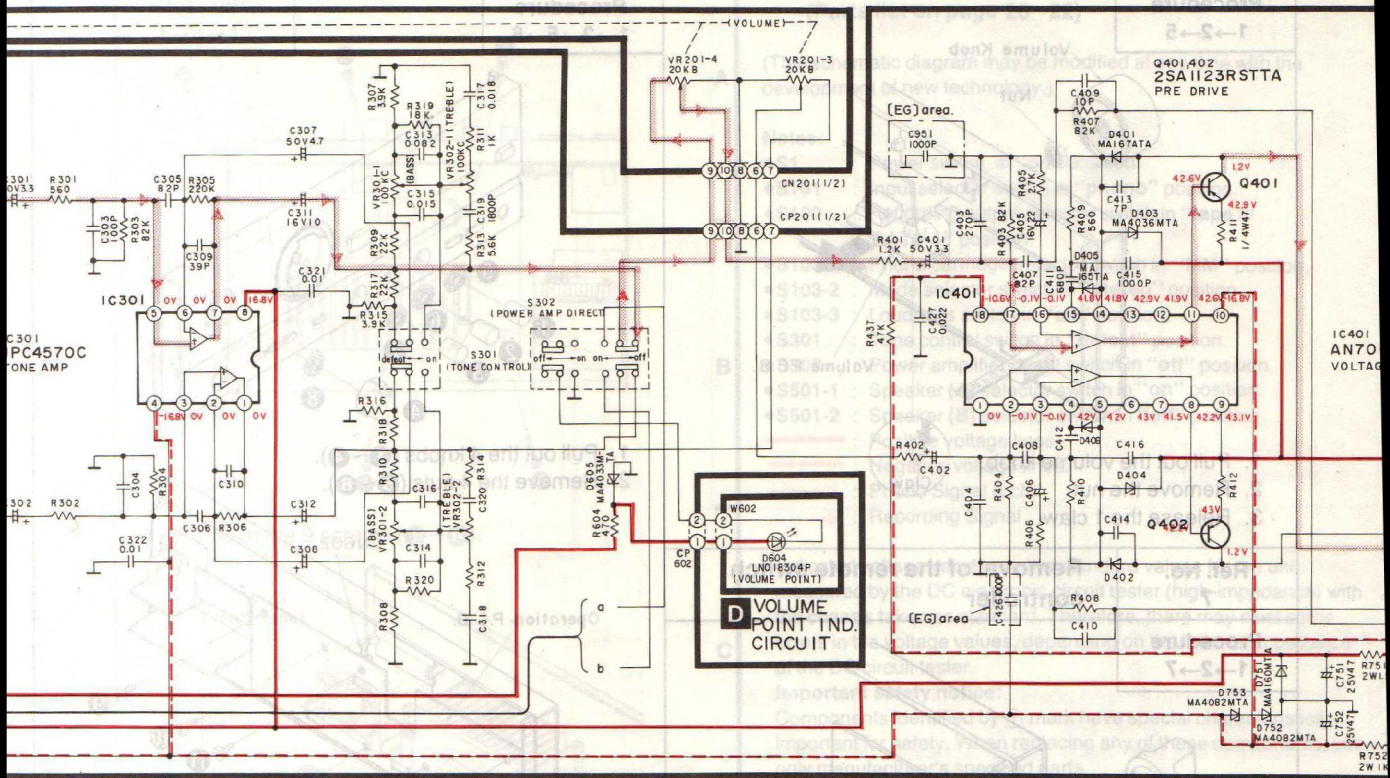
A PHONO EQ/TONE AMP CIRCUIT

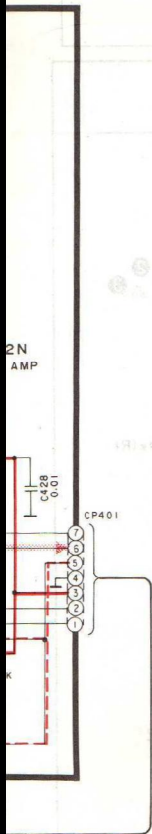
C VOLUME CIRCUIT



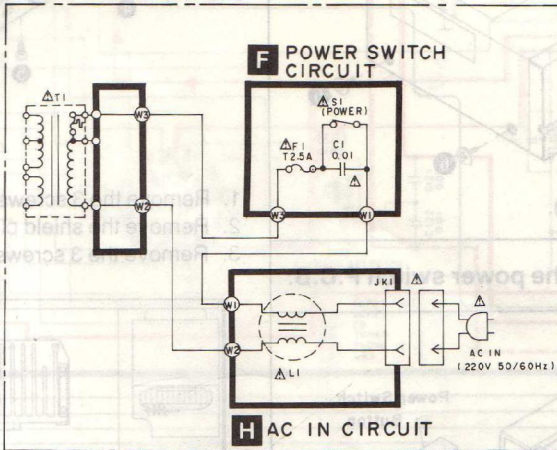
B MAIN CIRCUIT







Power Source For [EG] area.



E HEADPHONES /SPEAKER SWITCH CIRCUIT

